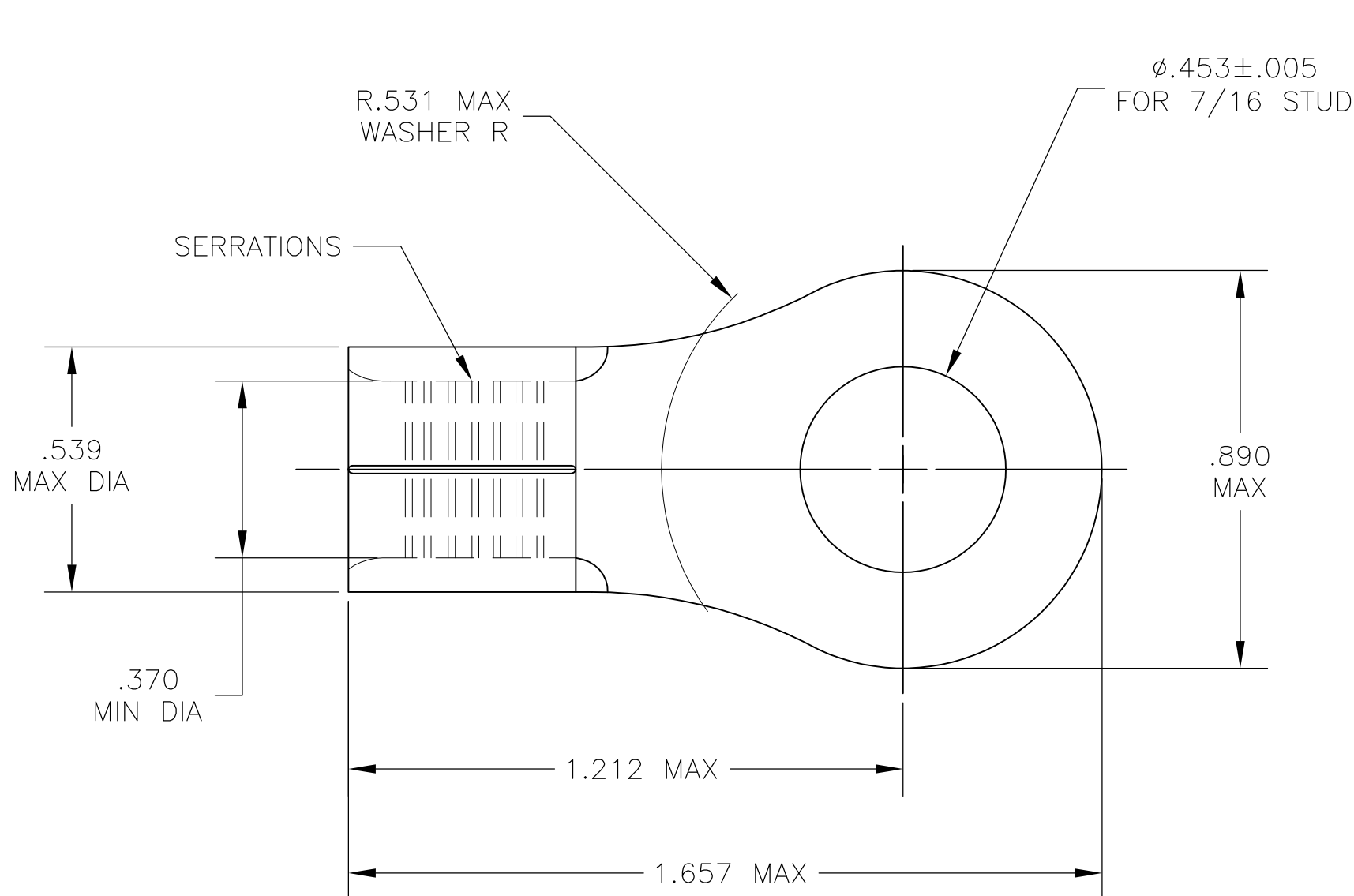


THIS DRAWING IS UNPUBLISHED. RELEASED FOR PUBLICATION
 © COPYRIGHT BY TYCO ELECTRONICS CORPORATION. ALL RIGHTS RESERVED.

LOC	DIST	REVISIONS					
		P	LTR	DESCRIPTION	DATE	DWN	APVD
G	14		B1	REV PER ECR 07-029045	03DEC07	JR	MS



- 1 TONGUE THK IS $.070 \pm .003$
- △2 COPPER PER ASTM B152, ANNEALED
- △3 TIN PLATE PER ASTM B545
- △4 GOLD PLATE PER ASTM B488
TYPE II .00005 MIN EXT THK
OVER NICKEL PLATE (QQ-N-290)
.00003 MIN EXT THK.

△4	2-320741-1
△3	320741-0
FINISH	PART NO

THIS DRAWING IS A CONTROLLED DOCUMENT.		DWN jr_ruth	03OCT03	Tyco Electronics Corporation Harrisburg, PA 17105-3608	
DIMENSIONS: INCHES 		CHK MJ SPICER	03OCT03		
TOLERANCES UNLESS OTHERWISE SPECIFIED: 0 PLC ± - 1 PLC ± - 2 PLC ± - 3 PLC ± .008 4 PLC ± - ANGLES ± 5°		APVD MJ SPICER	03OCT03	NAME TERMINAL, SOLISTRAND, RING TONGUE, WIRE SIZE : #2	
MATERIAL △2		FINISH SEE TABLE		PRODUCT SPEC -	APPLICATION SPEC -
		WEIGHT -	SIZE A3	CAGE CODE 00779	DRAWING NO G-320741
CUSTOMER DRAWING			SCALE 3:1	SHEET 1 OF 1	RESTRICTED TO -
				REV B1	